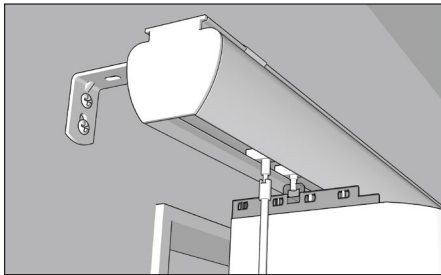
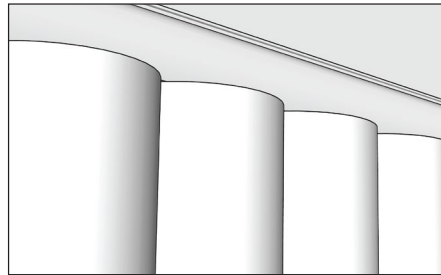


Step 4: Hang Veri Shade Blades



- Hang Female END Blade on the track.
- Ensure mesh fabric faces into the room.
- Clip plastic hangers onto the track, starting with the female hanger.
- Join male and female hangers with front fabric touching.
- Repeat the folding and joining process.

Step 5: Check folds and curves.



- Ensure blades are in the 'open' position before testing sliding—test shades by fully opening and closing them in both directions.



IMPORTANT: Please read all instructions before starting.

- Extreme care must be taken when transporting, moving, storing & unwrapping blinds as the fabric can easily become marked or dented. Aspect recommends wearing clean, white gloves when handling blinds.

View installation video online

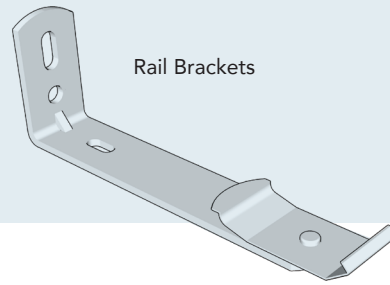


To view the installation guide video scan the QR code

Recommended Equipment:

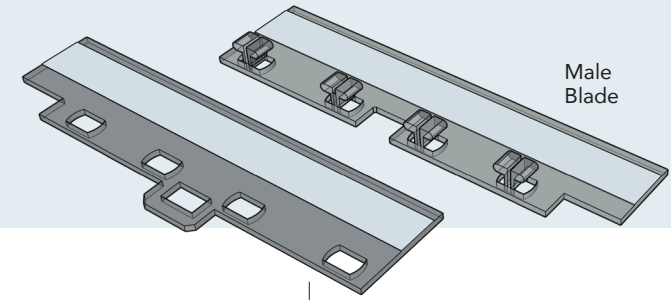
- Drill (Philips head)
- Tape Measure
- Level
- String
- Pencil
- Drop cloth
- Ladder if required

INSTALLING YOUR VERI SHADE BLINDS



Rail Brackets

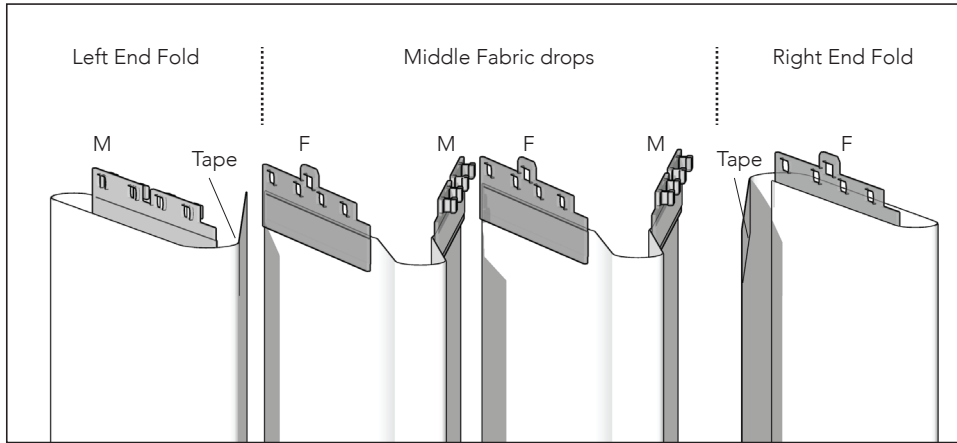
Female Blade



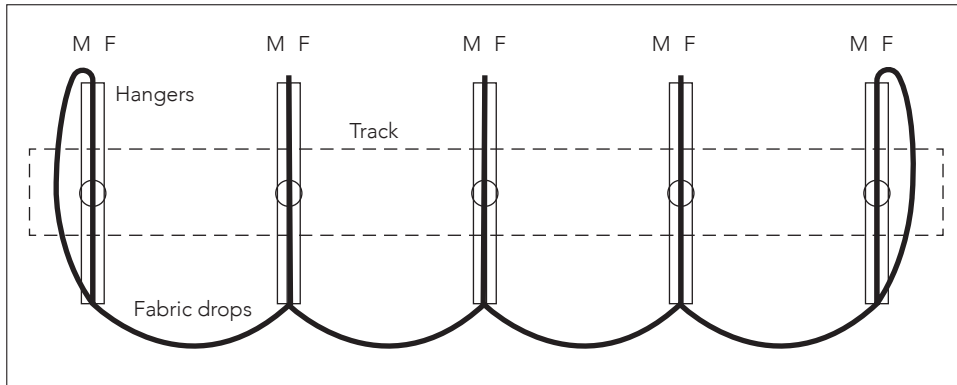
Male Blade

Overview

Looking from the front, this diagram shows the relationship between male and female blades and the fabric drops.

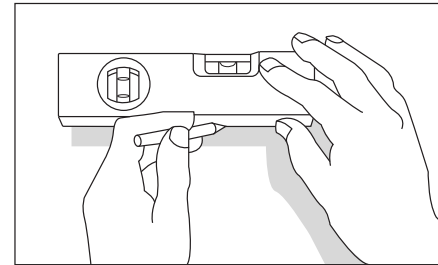


Looking from above, this diagram shows the blades and fabric drops once clipped together.

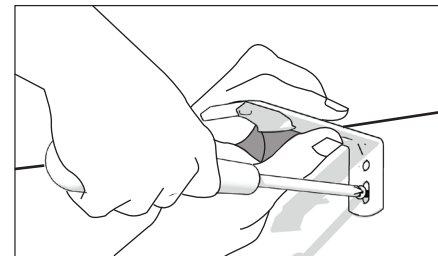


Hang blades in this order: Male END, female, male, female, etc., ending with Female END.

Step 1: Install Brackets and Track

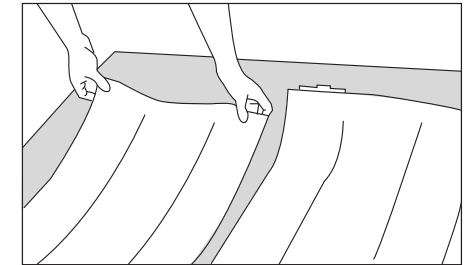


- Measure and mark the bracket height as specified in your order form.
- Secure the brackets to the wall, ensuring they're level and square.
- Install the first bracket, allowing for adjustment.
- Install a second bracket at the opposite end, ensuring square alignment.



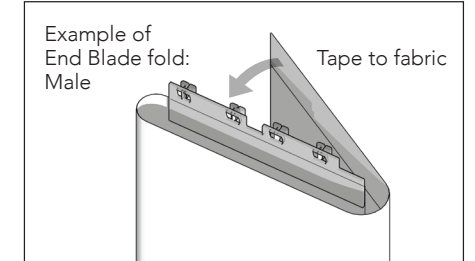
- String a level line between end brackets.
- Measure and mark spacing for additional support brackets.
- Install support brackets, ensuring they're square and evenly spaced.
- Attach secondary locking screws to all brackets.
- Clip the track in place.

Step 2: Unbox Fabric Veri Shade Blades



- Lay out a clean drop cloth. Wash your hands before handling fabric blades.
- Open the box carefully with scissors.
- Place the roll of fabric blades on the cloth and unroll.
- Set aside the first and last blades (END BLADES) separately.

Step 3: Prepare END BLADES for Hanging



- Female END Blade: Wrap the fabric around hanger halves and join folds.
- Male END Blade: Wrap the fabric around hanger halves and join folds.